

TILED ROOFS

Smart Mounting. Solid Performance.

Lumax Energy's PV Mounting Kits are purpose-built for small-scale solar projects and system expansions. Engineered for strength, ease of installation, and cost efficiency, our kits include all components required to mount solar modules on tiled metal roofs. Designed to streamline your workflow and reduce onsite labor, Lumax kits help you complete jobs faster without compromising on quality or performance.

► Kit Code(s)

- LMK-KIT-TILE-HDG_3PP: Galvanized, (3-Panel Portrait kit)
- LMK-KIT-TILE-HDG_4PP: Galvanized, (4-Panel Portrait kit)
- LMK-KIT-TILE-HDG_5PP: Galvanized, (5-Panel Portrait Kit)
- LMK-KIT-TILE-SS_3PP: Stainless Steel, (3-Panel Portrait kit)
- LMK-KIT-TILE-SS_4PP: Stainless Steel, (4-Panel Portrait kit)
- LMK-KIT-TILE-SS_5PP: Stainless Steel, (5-Panel Portrait Kit)

What's in the box?

The kit consists of all the necessary components to mount your choice of one horizontal row of 3,4 or 5 portrait panels (depending on kit size)

Here's what you will find inside.

Galvanized Options for 3 to 5panel kit sizes



Interclamp
LM-IC35-GP1-RNW

3 Panel Kit - 4 x

4 Panel Kit - 6 x

5 Panel Kit - 8 x



End Clamp (30-40mm)
LM-DEC30-40

3 Panel Kit - 4 x

4 Panel Kit - 4 x

5 Panel Kit - 4 x

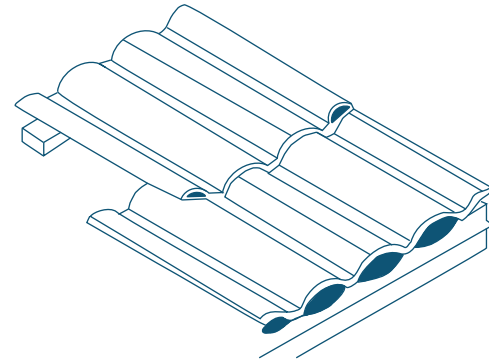


Roof Hook
LMK-RH-S-HDG

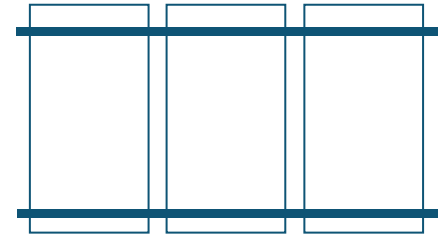
3 Panel Kit - 6 x

4 Panel Kit - 8 x

5 Panel Kit - 10 x



Tiled Roof Sheeting



Portrait Panel Orientation

Additional Information

- **Mid and end clamps included** for both 30 mm and 35 mm panel thicknesses
- **High-grade aluminium components** – AL6063-T6 / AL6005-T5
- **SUS304 stainless steel** brackets and fasteners for corrosion resistance
- **Pinned inter-clamps** ensure secure electrical bonding between panels
- **Tile roof hooks** available in hot-dip galvanised or stainless steel

TILED ROOFS

Smart Mounting. Solid Performance.

Stainless-Steel Options for 3 to 5 panel kit sizes



Interclamp
LM-IC35-GP1-RNW

3 Panel Kit - 4 x

4 Panel Kit - 6 x

5 Panel Kit - 8 x



End Clamp (30-40mm)
LM-DEC30-40

3 Panel Kit - 4 x

4 Panel Kit - 4 x

5 Panel Kit - 4 x



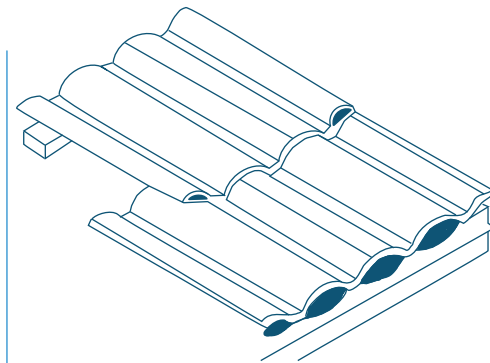
Roof Hook
LMK-RH-S-S

3 Panel Kit - 6 x

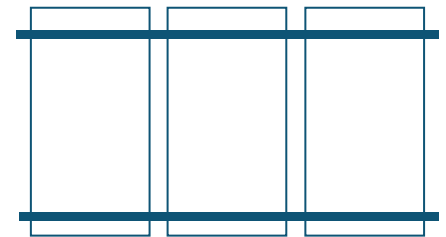
4 Panel Kit - 8 x

5 Panel Kit - 10 x

Please note that rails are sold separately.



Tiled Roof Sheeting



Portrait Panel Orientation

Additional Information

- **Mid and end clamps included** for both 30 mm and 35 mm panel thicknesses
- **High-grade aluminium components** – AL6063-T6 / AL6005-T5
- **SUS304 stainless steel** brackets and fasteners for corrosion resistance
- **Pinned inter-clamps** ensure secure electrical bonding between panels
- **Tile roof hooks** available in hot-dip galvanised or stainless steel