

CORRUGATED & IBR ROOFS

Installer-Ready. Engineer-approved

Lumax Energy's PV Mounting Kits are purpose-built for small-scale solar projects and system expansions. Engineered for strength, ease of installation, and cost efficiency, our kits include all components required to mount solar modules on corrugated & trapezoidal metal roofs. Designed to streamline your workflow and reduce onsite labor, Lumax kits help you complete jobs faster without compromising on quality or performance.

► Kit Code(s)

- LMK-KIT-CORRUGATED+IBR-3PP (3 Panel System)
- LMK-KIT-CORRUGATED+IBR-4PP (4 Panel System)
- LMK-KIT-CORRUGATED+IBR-5PP (5 Panel System)

What's in the box?

The kit consists of all the necessary components to mount your choice of 3, 4 or 5 portrait panels in one continuous row.

Here's what you will find inside.



Interclamp
LM-IC35-GP1-RNW

3 Panel Kit - 4 x

4 Panel Kit - 6 x

5 Panel Kit - 8 x



End Clamp (30-40mm)
LM-DEC30-40

3 Panel Kit - 4 x

4 Panel Kit - 4 x

5 Panel Kit - 4 x



Roof Clamp
LM-TBR-P

3 Panel Kit - 8 x

4 Panel Kit - 10 x

5 Panel Kit - 12 x



Screw(s)
FS-S-SP-25X5.5-C4

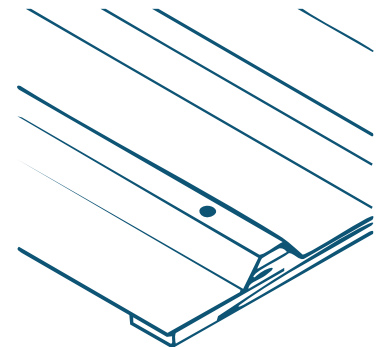
3 Panel Kit - 32 x

4 Panel Kit - 40 x

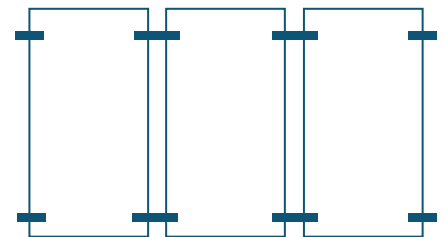
5 Panel Kit - 48 x



Corrugated Roof Sheeting



Trapezoidal Roof Sheeting



Portrait Panel Orientation

Additional Information

- **Mid and end clamps** included for both 30mm and 35mm panel thicknesses
- **High grade aluminium** components - AL6063-T6 / AL6005-T5
- **US304 stainless steel fasteners** for corrosion resistance
- **Pinned inter-clamps** ensure secure electrical bonding between panels
- **Class 4 self-piercing screws** - no swarf, clean finish, no pre-drilling required