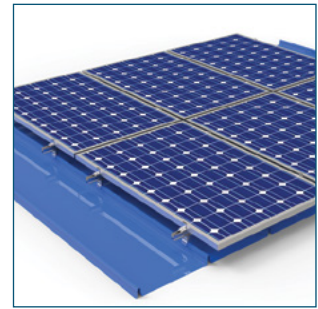
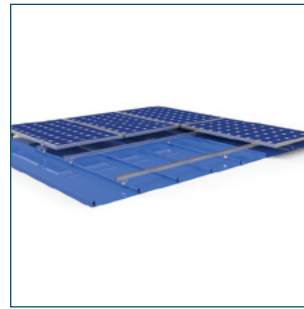
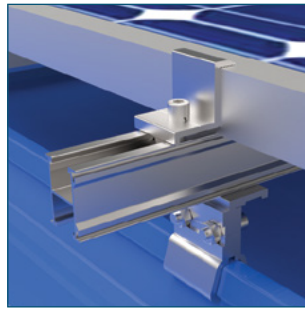
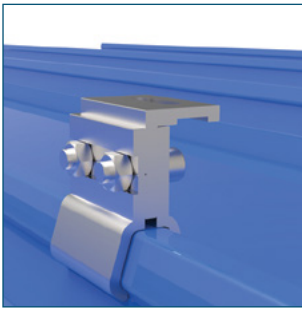
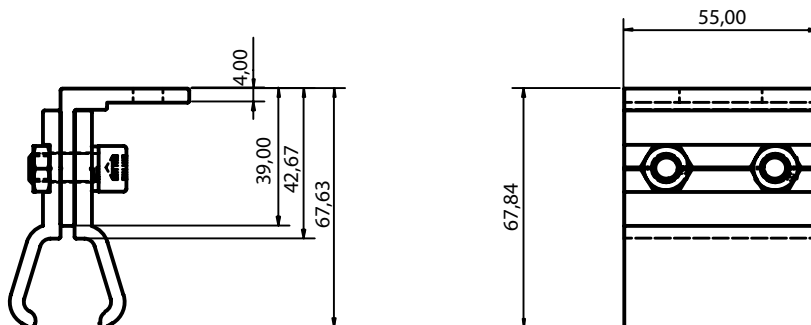


SLOTTED FLAT TOP SHORT RAIL FOR KLIP-LOK/  
SAFLOK700



Application	Saflok 700 (Safintra) Klip-lok 700 (GRS) Klip-Lok 406 (GRS)
Features	Fast and easy install Attaches to popular concealed fix metal roofs without sheet penetration Non-corrosive, durable materials Metallurgical compatibility with most metal roofs Full-rail mounting for PV panels Good ventilation, 100mm clearance between panel frame and roof sheet Fixation of cable trays, walkways and other accessories Resistant to over-tightening as bolts and nuts are stainless steel (no aluminium thread)
Specifications	Material: Aluminium 6005 - T5, Stainless steel SUS304 Anodized > 13 µm
Dimensions	H 68mm x L 55mm x W 52mm
Weight	90g (including fasteners)
Orientation	Landscape/Portrait (Ideally portrait)

Glossary : (\*) Customizable



SGS	Sample	Maximum Load (kN)	Maximum Load (kg)	Comments
	Sample Tested	2.76	281	Contact us for full test results