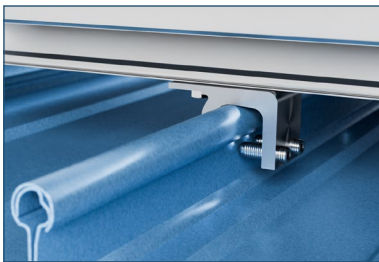
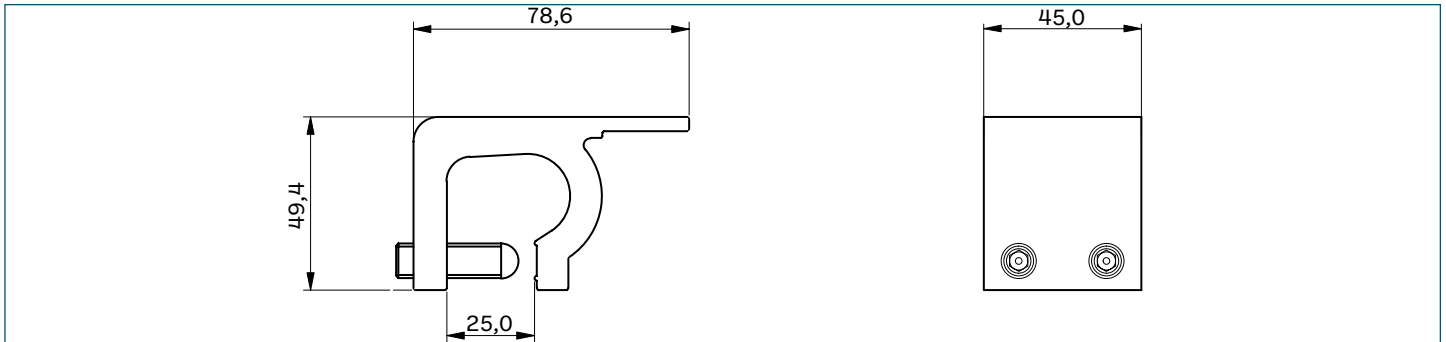


### Slotted Flat Top Short Rail

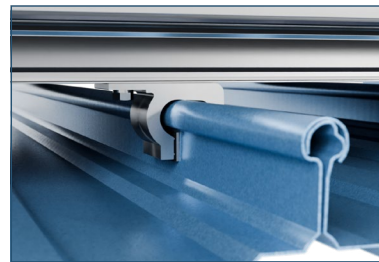
Designed specifically for round standing seam sheet profiles, this rail provides a secure and adaptable mounting solution.

Application	Bulbous standing seam sheet profiles
Key Features	<ul style="list-style-type: none"> <li>Slotted and threaded M8 top fixation points for both railed and short rail applications</li> <li>Compatible with a contact-preventing insert for added protection</li> <li>Rounded set screws prevent damage to the sheet</li> <li>Stainless steel set screws for enhanced corrosion resistance</li> <li>M10 set screws ensure a secure, robust fixation</li> </ul>
Material	Aluminium 6005-T5, Stainless steel SUS304
Product Type	Concealed fix
Specifications	Anodised > 13 µm
Dimensions	H 49 mm x L 78 mm x W 45 mm
Total Weight	210 g (including fasteners)
Orientation	Solution dependant (landscape and portrait)



#### Adaptive Mounting

Built for bulbous standing seam profiles, providing a strong, concealed fix without sheet penetration. Slotted and threaded M8 top fixation points ensure compatibility with both railed and short rail set-ups.



#### Built to Last

Crafted from anodised AL 6005-T5 with corrosion-resistant SUS304 set screws, the LM-ZTC offers durability and reliability. Rounded set screws protect the sheet, while M10 set screws ensure a firm and reliable fixation to the roof.