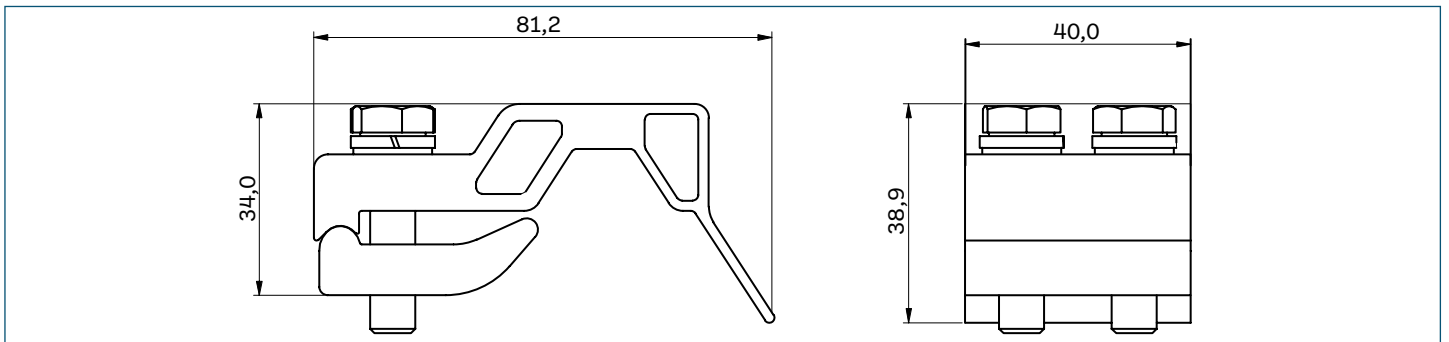




Craft-Lock Sheet Clamp

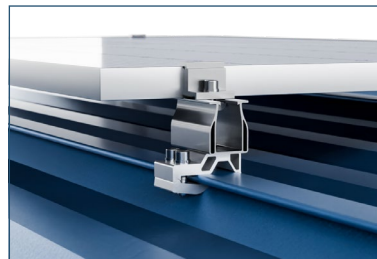
This sheet clamp offers a secure fix for craft-lock sheets, with quick installation and versatile orientations.

Application	Craft-lock sheet
Key Features	Compatible with both landscape and portrait mounting orientations Prevents penetration of the roof sheeting Easy installation with just two hex bolts Features a profile-hugging design for a secure fit
Material	Aluminium 6005-T5, Stainless steel SUS304
Product Type	Concealed fix
Specifications	Anodised > 13 µm
Dimensions	H 40 mm x L 82 mm x W 40 mm
Total Weight	150 g (excluding fasteners)
Orientation	Solution dependant (landscape and portrait)



Protective Properties

The LM-CLC sheet clamp is designed for easy installation with both landscape and portrait mounting orientations. Its profile-hugging shape ensures a tight, secure fit while preventing any penetration of the sheeting.



Fast and Durable

Featuring just two hex bolts for fast setup, this concealed-fix clamp is made from durable aluminium and steel materials. Its anodised finish provides added corrosion resistance for lasting performance.